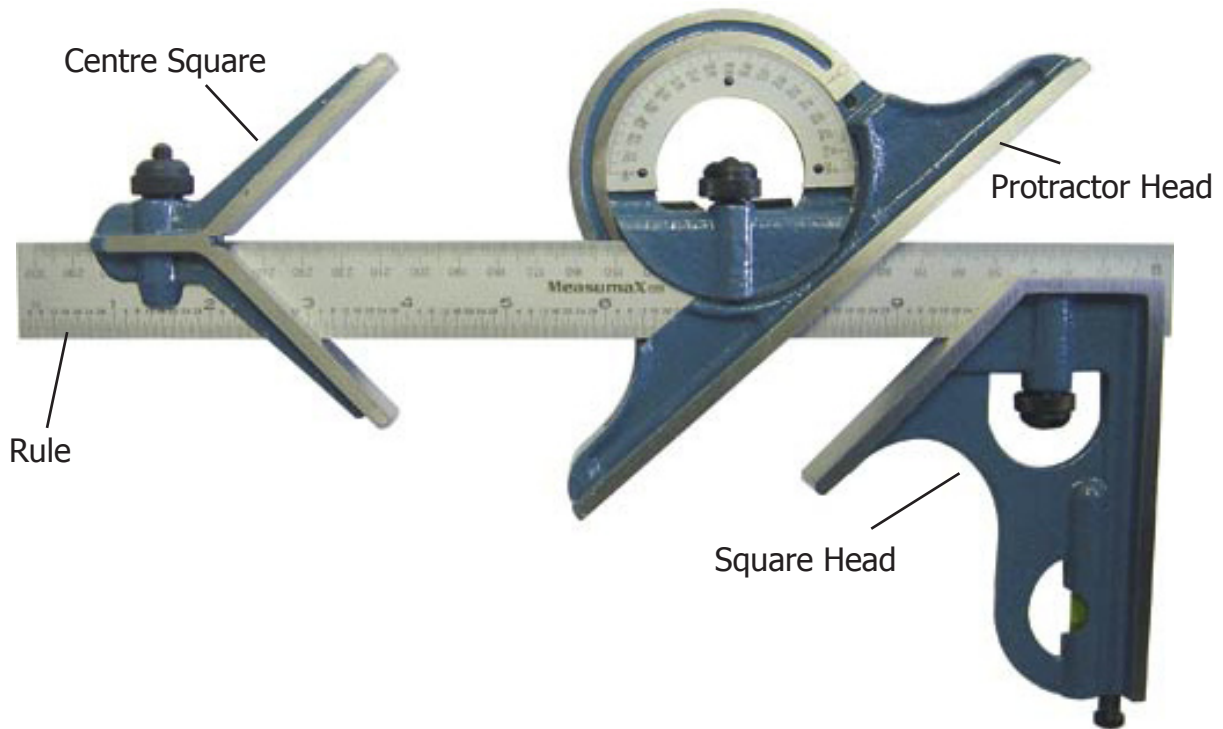
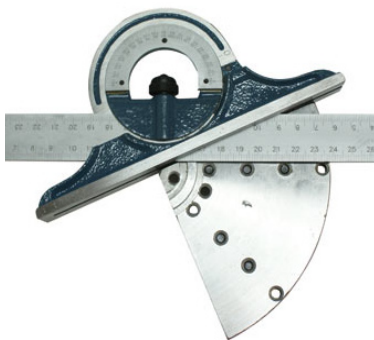


MeasumaX

Operating Instructions for Combination Sets 35-200, 35-200A & High Accuracy 35-2005



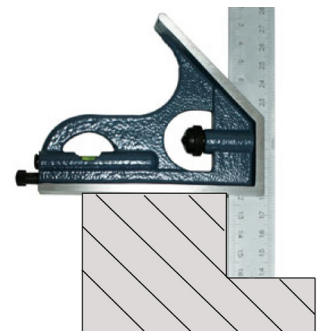
1. When using the combination set always clean the surfaces with some light oil and a cloth before assembling the parts to the rule.
2. Choose the right measuring parts based on the practical application, then combine and fix the chosen parts to the rule.
3. When combining the square head with the rule, height, depth and square measurement can be performed as illustrated below.
4. When the centre square is combined with the rule, finding the centre of a round object can be easily achieved.
5. When the protractor head is attached to the rule angular measurement can be achieved for both setting an angle or checking an angle.



Angle measurement



Centre Finder



Depth measurement



Square measurement

Spare Part
Screw spring and nut
Code 2125



www.measumax.com